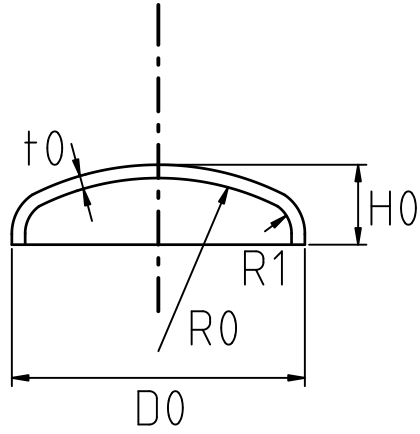


1	2	3	4	
RevNo	Revision note	Date	Signature	Checked



Measured Values		
Item	Unit	Value
D0	mm	
H0	mm	
R0	mm	
R1	mm	
t0	mm	

Itemref	Quantity	Title/Name, designation, material, dimension etc	Article No./Reference		
Designed by	Checked by	Approved by - date	Filename	Date	Scale

<p style="text-align: center;">Cap Detail Dimensions Legend for PCC and VES</p> <p style="text-align: center;">www.red-bag.com</p>			Edition	Sheet