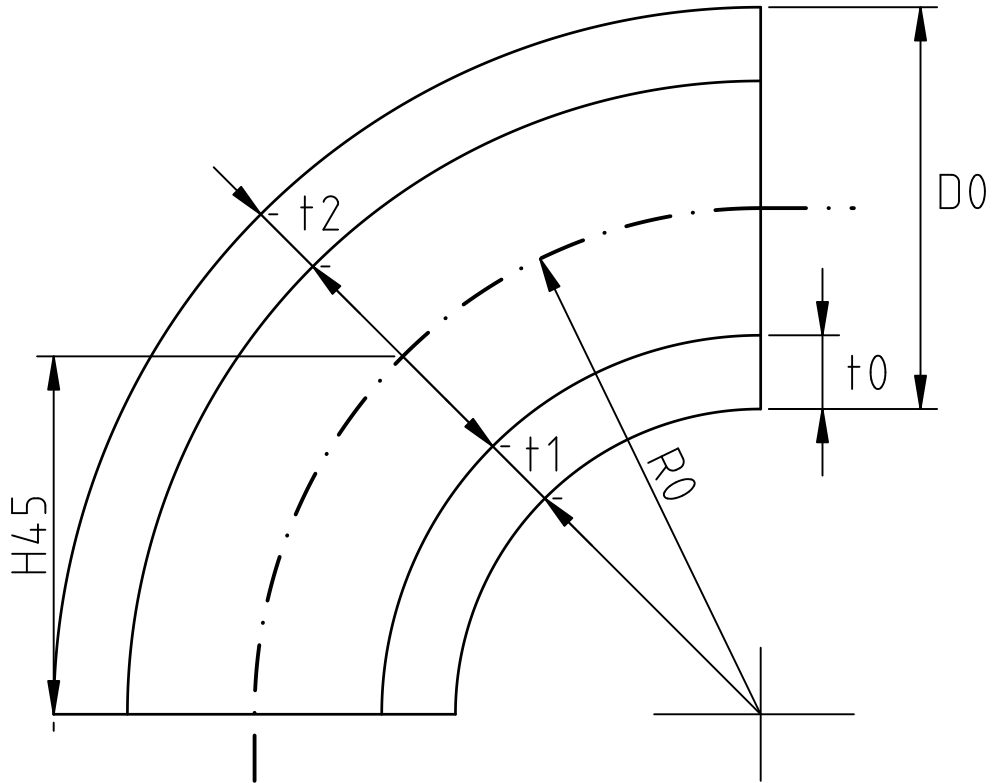


1		2		3		4	
RevNo	Revision note				Date	Signature	Checked



Measured Values		
Item	Unit	Value
D0	mm	
H45	mm	
R0	mm	
t0	mm	
t1	mm	
t2	mm	

Itemref	Quantity	Title/Name, designation, material, dimension etc	Article No./Reference
Designed by	Checked by	Approved by - date	Filename Date Scale

Bend Detail Dimensions
Legend for PCC and VES

www.red-bag.com

	Edition	Sheet
--	---------	-------