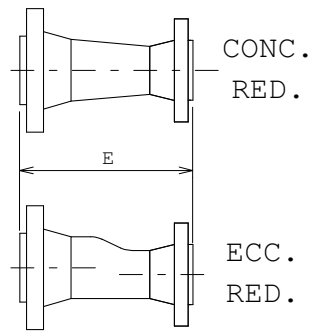
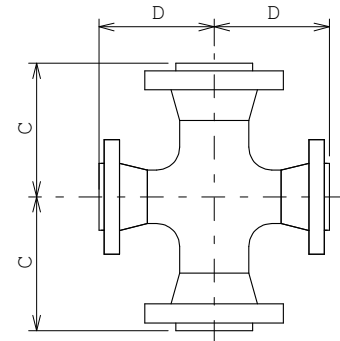
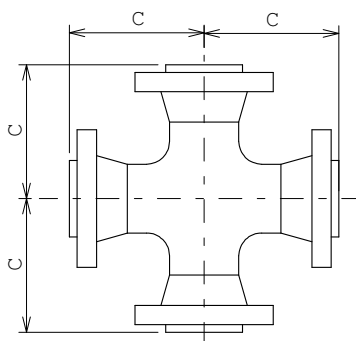
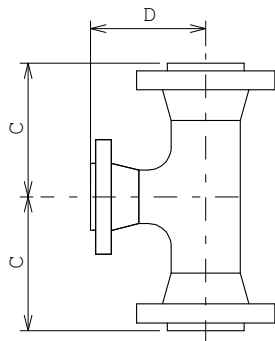
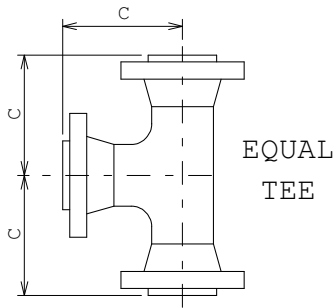


SIZE	90° ELBOW		45° ELBOW		TEES & CROSSES	
	A		B		C	
	IN'S	mm	IN'S	mm	IN'S	mm
2"	5 <sup>1</sup> / <sub>2</sub>	140	3 <sup>7</sup> / <sub>8</sub>	98	5	127
3"	7 <sup>1</sup> / <sub>4</sub>	184	4 <sup>3</sup> / <sub>4</sub>	121	6 <sup>1</sup> / <sub>8</sub>	156
4"	9	229	5 <sup>1</sup> / <sub>2</sub>	140	7 <sup>1</sup> / <sub>8</sub>	181
6"	12 <sup>1</sup> / <sub>2</sub>	318	7 <sup>1</sup> / <sub>4</sub>	184	9 <sup>1</sup> / <sub>8</sub>	232
8"	16	406	9	229	11	279
10"	19	483	10 <sup>1</sup> / <sub>4</sub>	260	12 <sup>1</sup> / <sub>2</sub>	318
12"	22 <sup>1</sup> / <sub>2</sub>	572	12	305	14 <sup>1</sup> / <sub>2</sub>	368



SIZE	REDUCERS. RED. TEES & RED. CROSSES					
	C		D		E	
	IN'S	mm	IN'S	mm	IN'S	mm
2"x1 <sup>1</sup> / <sub>2</sub> "	5	127	4 <sup>13</sup> / <sub>16</sub>	122	7 <sup>15</sup> / <sub>16</sub>	202
3"x1 <sup>1</sup> / <sub>2</sub> "	6 <sup>1</sup> / <sub>8</sub>	156	5 <sup>5</sup> / <sub>16</sub>	135	8 <sup>11</sup> / <sub>16</sub>	221
3"x2"	6 <sup>1</sup> / <sub>8</sub>	156	5 <sup>1</sup> / <sub>2</sub>	140	8 <sup>3</sup> / <sub>4</sub>	222
4"x1 <sup>1</sup> / <sub>2</sub> "	7 <sup>1</sup> / <sub>8</sub>	181	5 <sup>13</sup> / <sub>16</sub>	148	9 <sup>7</sup> / <sub>16</sub>	240
4"x2"	7 <sup>1</sup> / <sub>8</sub>	181	6	152	9 <sup>1</sup> / <sub>2</sub>	241
4"x3"	7 <sup>1</sup> / <sub>8</sub>	181	6 <sup>5</sup> / <sub>8</sub>	168	9 <sup>3</sup> / <sub>4</sub>	248
6"x3"	9 <sup>1</sup> / <sub>8</sub>	232	7 <sup>5</sup> / <sub>8</sub>	194	11 <sup>3</sup> / <sub>4</sub>	299
6"x4"	9 <sup>1</sup> / <sub>8</sub>	232	8 <sup>1</sup> / <sub>8</sub>	206	12	305
8"x4"	11	279	9 <sup>1</sup> / <sub>8</sub>	232	13	330
8"x6"	11	279	10 <sup>1</sup> / <sub>8</sub>	257	13 <sup>1</sup> / <sub>2</sub>	343
10"x4"	12 <sup>1</sup> / <sub>2</sub>	318	10 <sup>1</sup> / <sub>4</sub>	260	14	356
10"x6"	12 <sup>1</sup> / <sub>2</sub>	318	11 <sup>1</sup> / <sub>8</sub>	283	14 <sup>1</sup> / <sub>2</sub>	368
10"x8"	12 <sup>1</sup> / <sub>2</sub>	318	12	305	15	381
12"x6"	14 <sup>1</sup> / <sub>2</sub>	368	12 <sup>1</sup> / <sub>8</sub>	308	16	406
12"x8"	14 <sup>1</sup> / <sub>2</sub>	368	13	330	16 <sup>1</sup> / <sub>2</sub>	419
12"x10"	14 <sup>1</sup> / <sub>2</sub>	368	14	356	16 <sup>1</sup> / <sub>2</sub>	419



150#ANSI FAB. FLANGED FITT'S  
(W.N. FLANGE WELDED TO  
VARIOUS FITTINGS)

ID. NO.

ISSUE

2

SHEET

1 of 1

DOC.NO.

BN-DS-C7