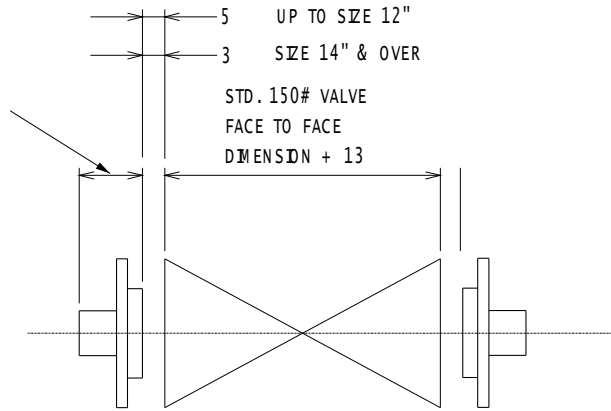


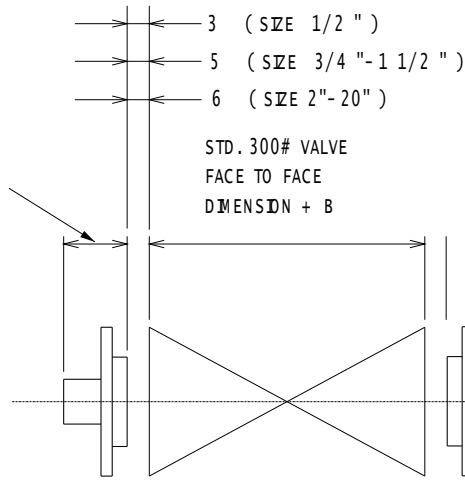
STD. 150# R.F. FLG. DIM + 6



150# R.T.J.

STD. 300# R.F. FLG. DIM + A

FLG. SIZE	A
1/2"	5
3/4"-1 1/2"	6
2"-18"	8
20"	10
24"	11

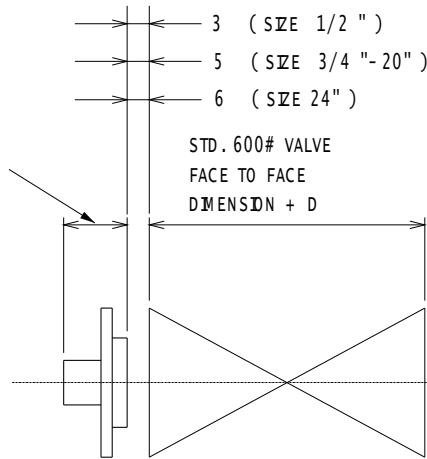


VALVE SIZE	B
1/2"	10
3/4"-1 1/2"	13
2"-18"	16
20"	19
24"	22

300# R.T.J.

STD. 600# R.F. FLG. DIM + C
(INCLUDING 1/4" R.F.)

FLG. SIZE	C
1/2"	(-) 2
3/4" - 1 1/2"	0
2" - 18"	2
20"	3
24"	5



VALVE SIZE	D
1/2"	(-) 3
3/4" - 1 1/2"	0
2" - 18"	3
20"	6
24"	10

600# R.T.J.

RING TYPE JOINT DIM'S
FOR
VALVES & FLANGES