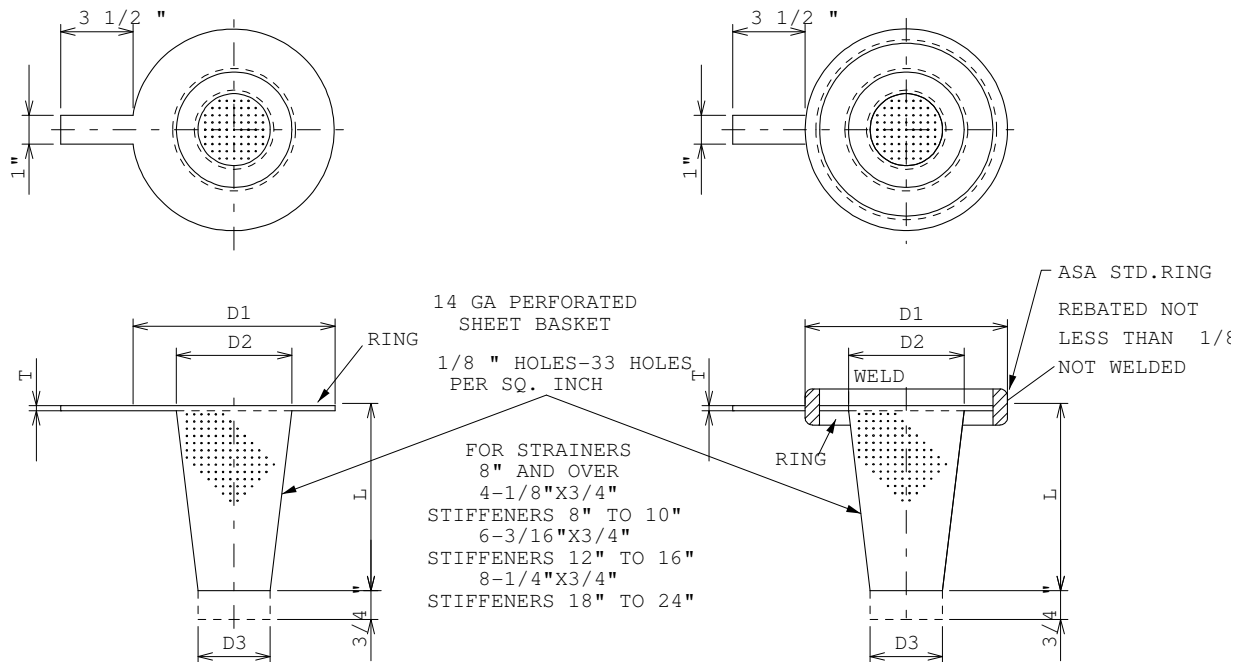


STANDARD DIMENSIONS FOR TEMPORARY STRAINERS

STYLE	PIPE SIZE	D1				D2	D3	PBS-150% PBL-200% (OPEN AREA) L	T
		FF & RF			RJ				
		150	300	600	300 600				
PBS	1 1/2	79	89	89	60	32	19	64	14 GA
PBL	1 1/2	79	89	89	60	32	19	89	"
PBS	2	98	105	105	71	44	32	64	"
PBL	2	98	105	105	71	44	32	89	"
PBS	3	130	143	143	113	70	51	89	"
PBL	3	130	143	143	113	70	51	114	"
PBS	4	168	175	187	138	89	64	114	"
PBL	4	168	175	187	138	89	64	152	"
PBS	6	216	244	260	200	140	102	165	"
PBL	6	216	244	260	200	140	102	229	"
PBS	8	273	302	314	259	181	143	216	"
PBL	8	273	302	314	259	181	143	305	"
PBS	10	333	356	394	313	229	184	254	"
PBL	10	333	356	394	313	229	184	356	"
PBS	12	403	416	451	370	276	225	305	"
PBL	12	403	416	451	370	276	225	419	"
PBS	14	445	479	486	408	321	257	330	"
PBL	14	445	479	486	408	321	257	432	"
PBS	16	508	533	559	459	368	298	356	"
PBL	16	508	533	559	459	368	298	483	"
PBS	18	543	591	606	522	416	343	381	"
PBL	18	543	591	606	522	416	343	533	"
PBS	20	600	648	676	572	467	381	432	"
PBL	20	600	648	676	572	467	381	610	"
PBS	24	711	768	784	676	568	457	559	"
PBL	24	711	768	784	676	568	457	711	"



INTERNATIONAL STD. BI-CDS-44M

STD. BA-CD-38M

STANDARD DIM' S FOR TEMPORARY STRAINERS (CONICAL TYPE)

ID. NO.

Error! AutoText entry not defined.

ISSUE

2

SHEET

1 of 1

DOC.NO.

BN-DS-C61