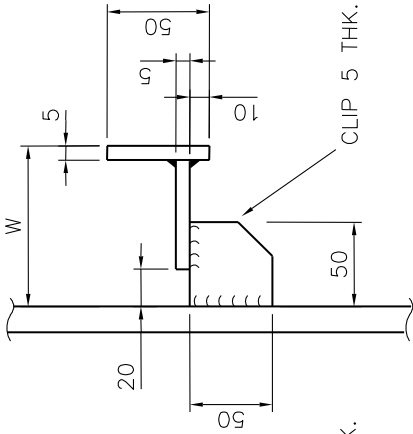
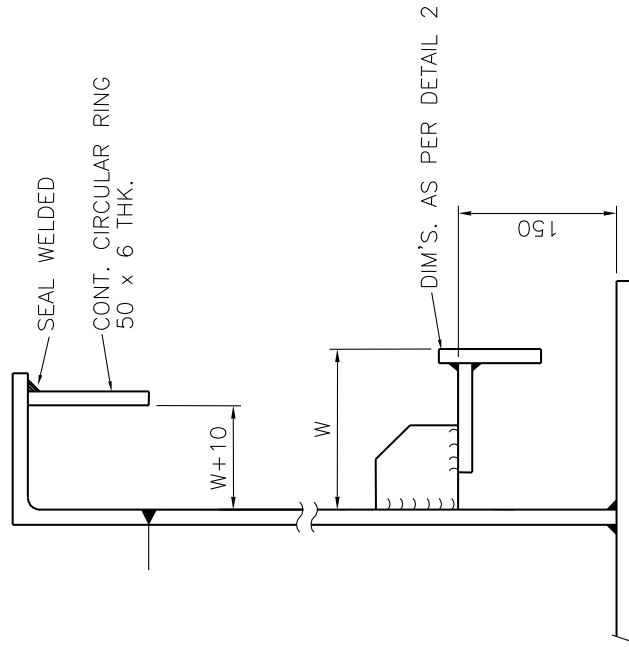


# GENERAL NOTES

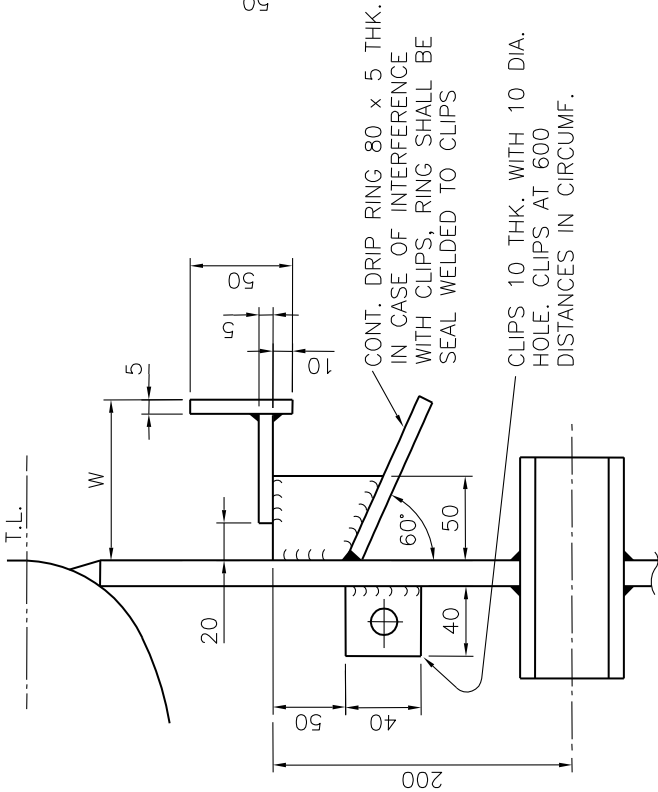
1. SUPPORTS ONLY REQ'D. FOR VERTICAL VESSELS AND TANKS ABOVE 1000 O.D. MAX. DISTANCES BETWEEN SUPPORTS 6000 mm.
2. INSULATION THICKNESS "W" AS INDICATED ON MECHANICAL DATA SHEETS.
3. WHERE SUPPORTS INTERFERE WITH CONNECTIONS ETC. SUPPORTS WILL BE CUT TO CLEAR.
4. CLIPS TO BE CONTINUOUSLY WELDED AND FREE FROM THE VESSEL WELDSEAMS.



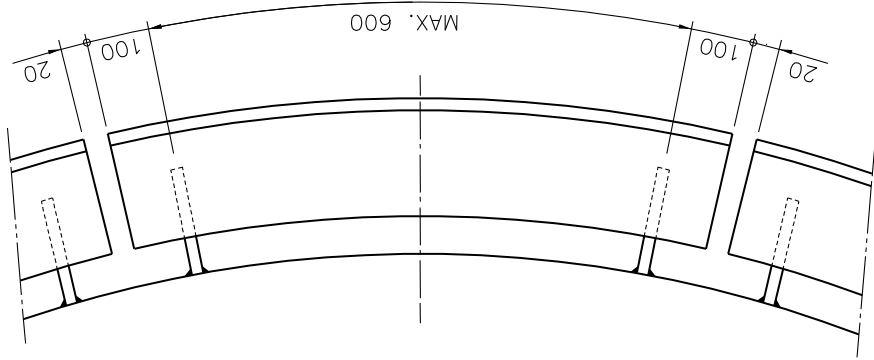
**DETAIL 2**  
SUPPORTS AT VESSEL WALL



**DETAIL 3**  
SUPPORTS AT TANK WALL



**DETAIL 1**  
SUPPORT AT SKIRT



**TOP VIEW DETAIL 1, 2 & 3**

INSULATION SUPPORT DETAILS  
FOR  
HOT SERVICE VESSELS