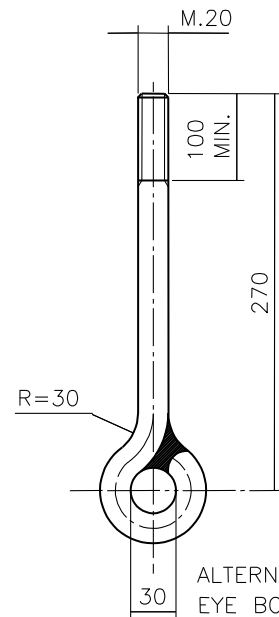
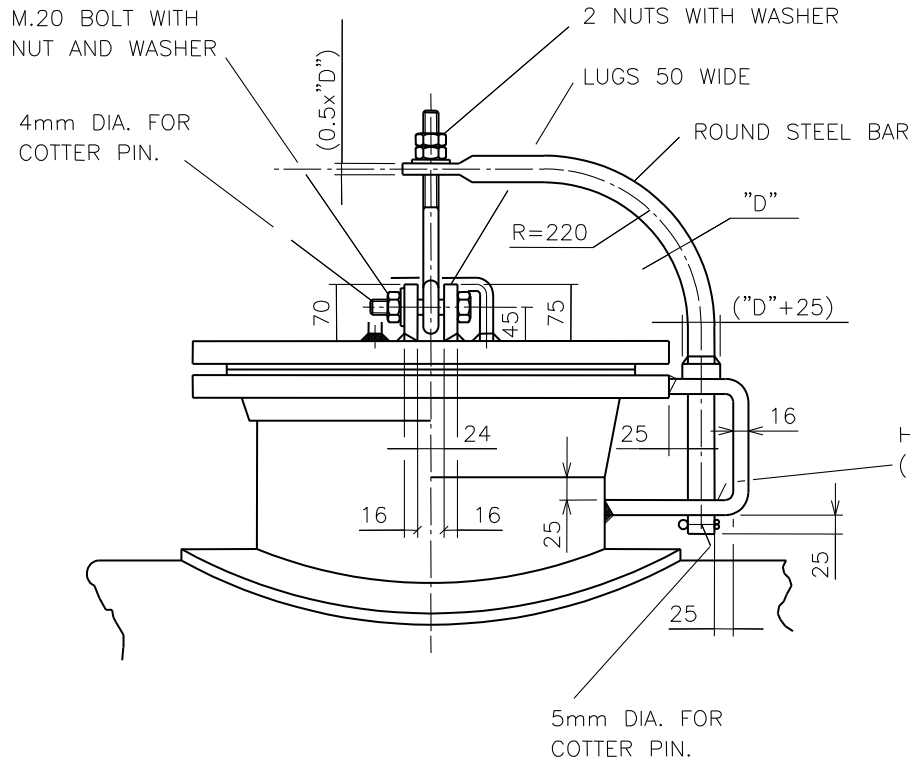


SLOTTED HOLE  
40x22 DIA.



ALTERNATIVE  
EYE BOLT TO  
DIN 444 WITH  
ADJUSTED THREAD  
LENGTH.



**GENERAL NOTES:**

1. WELD OF LUGS TO FLANGES SHALL BE A FULL PENETRATION WELD.
2. MATERIAL OF LUGS EQUIVALENT TO VESSEL MATERIAL.  
MATERIAL BOLTS/NUTS: AISI 304.
3. FOR LOCATION OF DAVIT SEE VESSEL DRAWING.

MANWAY NOM. SIZE	DAVIT DIA. "D"(mm)		
	ASA 150lbs	ASA 300lbs	ASA 600lbs
18"	35	45	50
20"	40	50	60
24"	45	55	65

**DAVIT  
FOR  
MANWAY COVERS**

ISSUE DATE  
7 1 DEC'00

2 OF 2

BN-DS-A 4