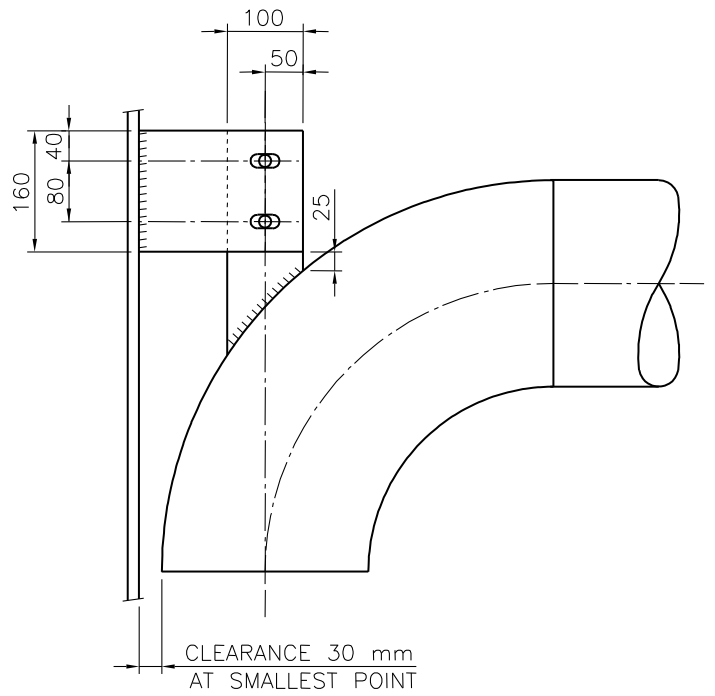
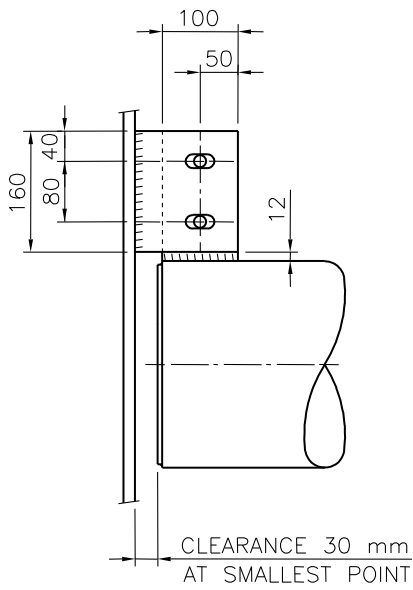


CLEARANCE 30 mm  
AT SMALLEST POINT

CLEARANCE 30 mm  
AT SMALLEST POINT

TYPE "A"

TYPE "B"



TYPE "C"

TYPE "D"

C.A.	CLIP THICK'S
0	6
1.5	8
3	10
4.5	12
6	16

**NOTES:**

1. PROVIDE 18 DIA. HOLES IN PIPE CLIPS AND 18 x 38 SLOTS IN SHELL CLIPS FOR M16 BOLTS.
2. NUTS SHALL BE FINGER TIGHT AND TACK WELDED TO BOLTS.
3. TYPE "A" AND TYPE "B" CLIPS SHALL NOT BE USED FOR PIPE SIZES GREATER THAN 6".

INTERNAL PIPE  
SUPPORT DETAILS