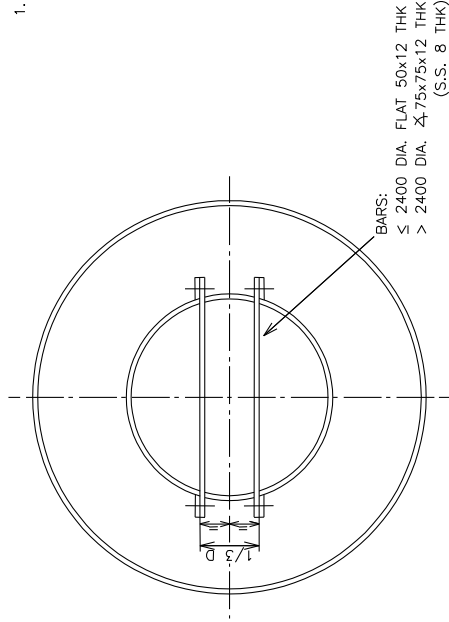
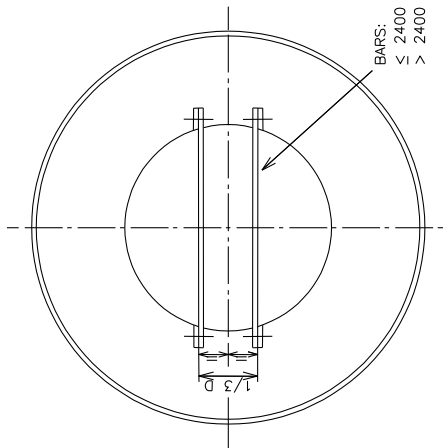
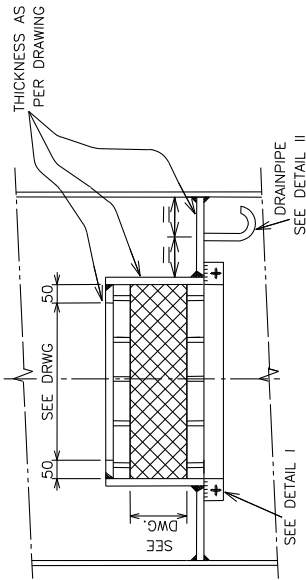


**GENERAL NOTES:**

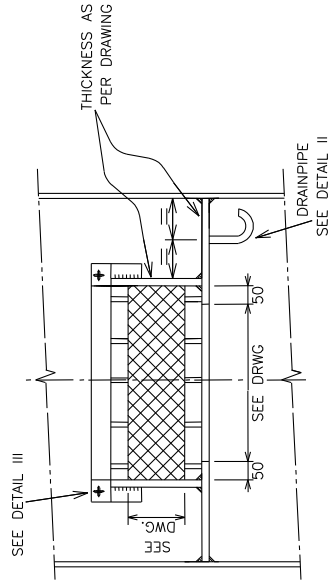
1. FOR MATERIAL SPECIFICATION AND ANY EXCEPTION TO THIS STANDARD SEE VESSEL DRAWING.



BARs:  
 ≤ 2400 DIA. FLAT 50x12 THK  
 > 2400 DIA. 475x75x12 THK  
 (S.S. 8 THK)

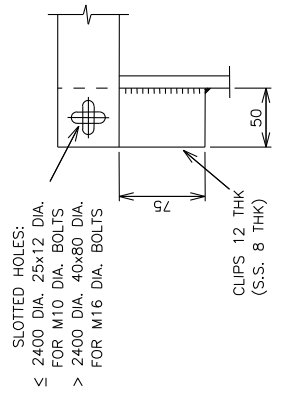


BARs:  
 ≤ 2400 DIA. FLAT 50x12 THK  
 > 2400 DIA. 475x75x12 THK  
 (S.S. 8 THK)



**DEMISTERS REMOVABLE FROM TOPSIDE**

MAX. DEMISTER SIZE 3600 DIA.

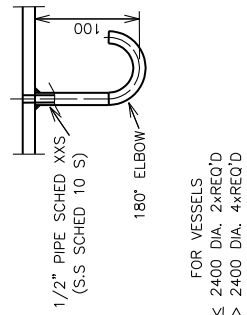


SLOTTED HOLES:  
 ≤ 2400 DIA. 25x12 DIA.  
 FOR M10 DIA. BOLTS  
 > 2400 DIA. 40x80 DIA.  
 FOR M16 DIA. BOLTS

DETAIL III

**DEMISTERS REMOVABLE FROM BOTTOMSIDE**

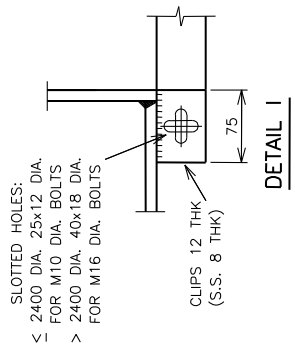
MAX. DEMISTER SIZE 3600 DIA.



1/2" PIPE SCHED XXS  
 (S.S SCHED 10 S)

FOR VESSELS  
 ≤ 2400 DIA. 2xREQ'D  
 > 2400 DIA. 4xREQ'D

DETAIL II



SLOTTED HOLES:  
 ≤ 2400 DIA. 25x12 DIA.  
 FOR M10 DIA. BOLTS  
 > 2400 DIA. 40x18 DIA.  
 FOR M16 DIA. BOLTS

DETAIL I

TYPICAL DEMISTER SUPPORTS FOR  
 REDUCED SIZE DEMISTER FOR  
 VESSELS