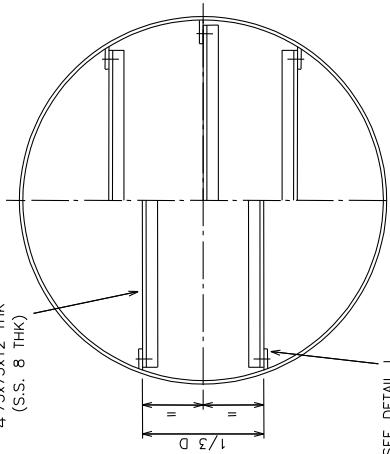


GENERAL NOTES:

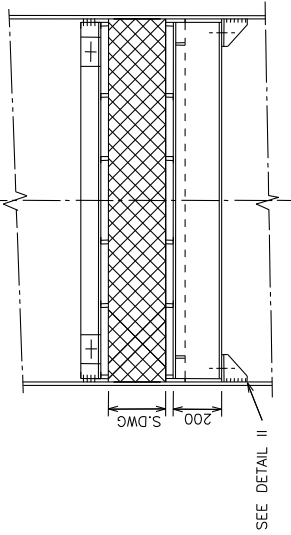
- FOR MATERIAL SPECIFICATION AND ANY EXCEPTION TO THIS STANDARD SEE VESSEL DRAWING.

≤5000 O.D. >5000 O.D.

4 75x75x12 THK (S.S. 8 THK)

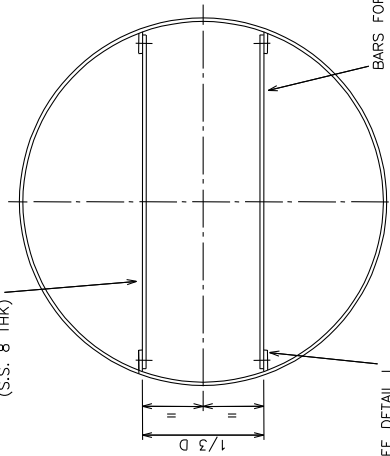


SEE DETAIL I

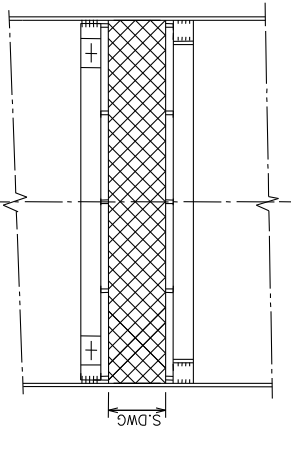


SEE DETAIL II

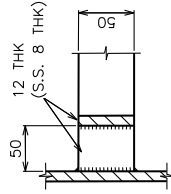
FLAT 60x12 THK (S.S. 8 THK)



SEE DETAIL I

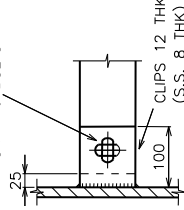


BARS FOR DEMISTER REMOVABLE FROM TOP SIDE ONLY

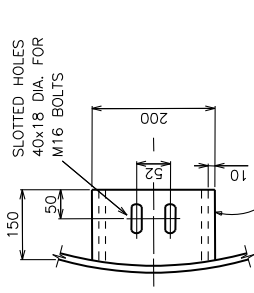


SECTION A-A

SLOTTED HOLES:
 ≤3000 O.D. 25x14 DIA. FOR M12 BOLTS
 >3000 O.D. 40x18 DIA. FOR M16 BOLTS



DETAIL I

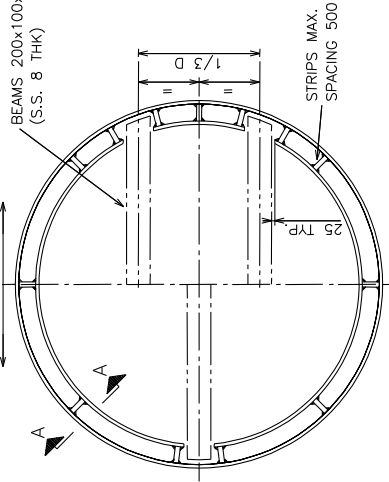


GUSSETS 12 THK (S.S. 8 THK)

DETAIL II

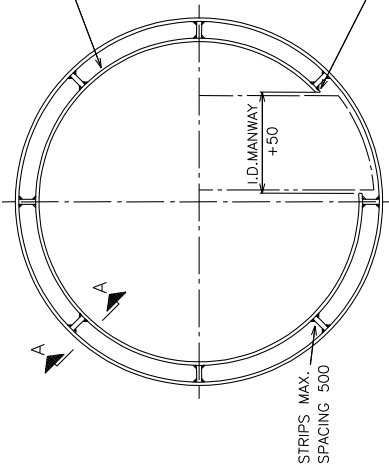
≤5000 O.D. >5000 O.D.

BEAMS 200x100x12 THK (S.S. 8 THK)



DEMISTERS ABOVE 3000 TO 8500 O.D. REMOVABLE FROM TOP SIDE ONLY

DEMISTER REMOVABLE FROM TOP WILL HAVE A CONTINUOUS RING AT BOTTOM SIDE



DEMISTER REMOVABLE FROM BOTTOM WILL HAVE A CONTINUOUS RING AT TOP AND A SEGMENTAL RING AT BOTTOM SIDE

DEMISTER UP TO 3000 O.D. REMOVABLE FROM TOP AND BOTTOM SIDE

TYPICAL DEMISTER SUPPORTS FOR VESSELS