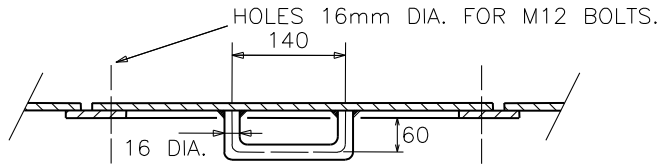
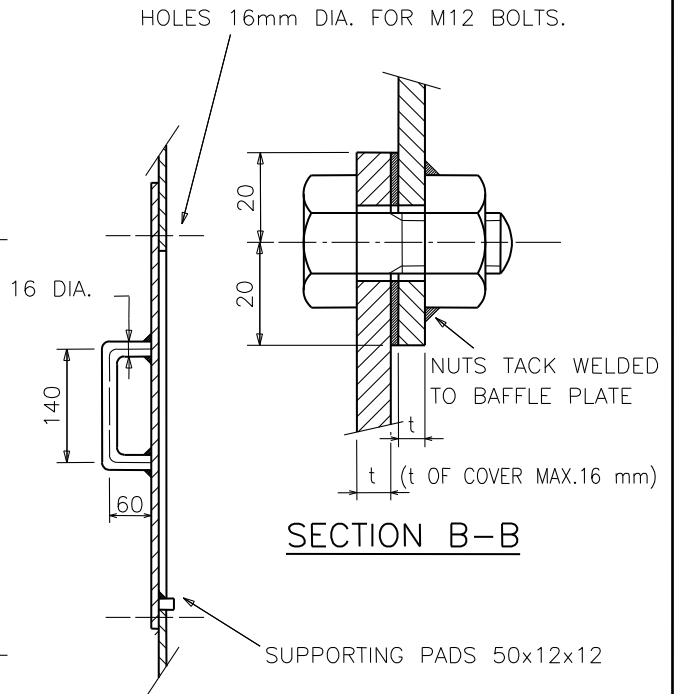
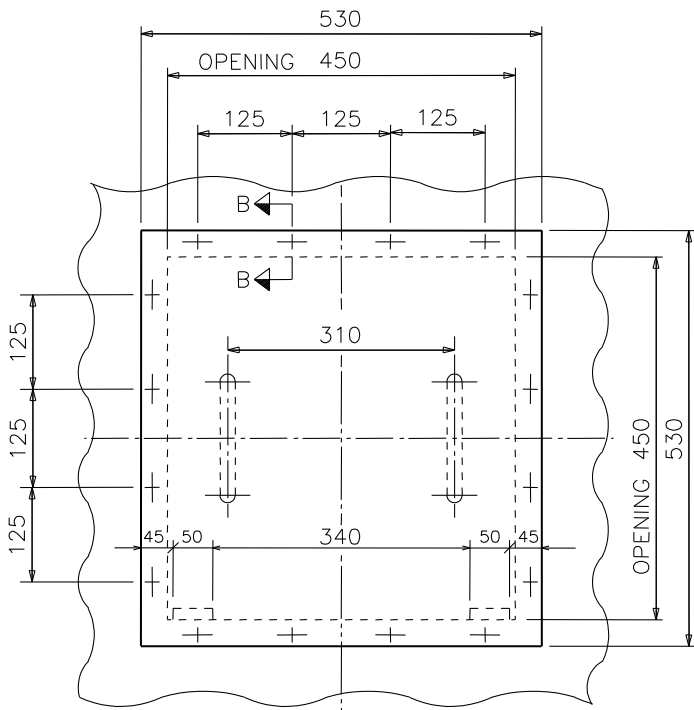


**SECTION A-A**



**TYPE "A"**

FOR HORIZONTAL BAFFLE PLATES



**SECTION B-B**

**TYPE "B"**

FOR VERTICAL BAFFLE PLATES

**GENERAL NOTES:**

1. GASKETS, 3mm THK. MAT'L. AS PER REQUISITION.
2. IF TYPE A HATCH WAY COVER TO BE OPENED FROM BE-NEATH,NUTS TACK WELDED TO COVERPLATE. IF TO BE OPENED FROM ABOVE,NUTS TACK WELDED TO STRIP AND GRIPS WELDED ON TOP OF COVERPLATE.

**HATCHWAY COVERS  
FOR  
VESSELS**