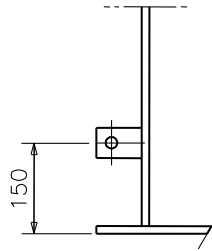
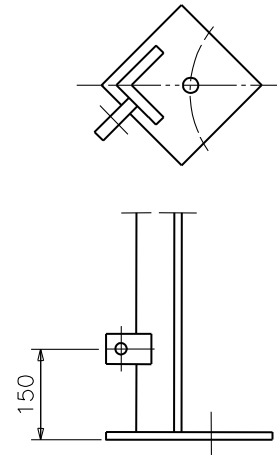


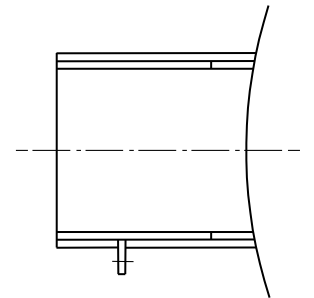
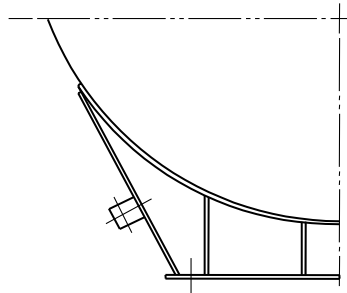
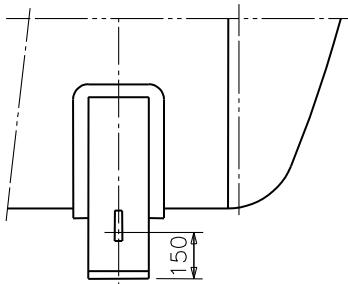
ON SKIRTS



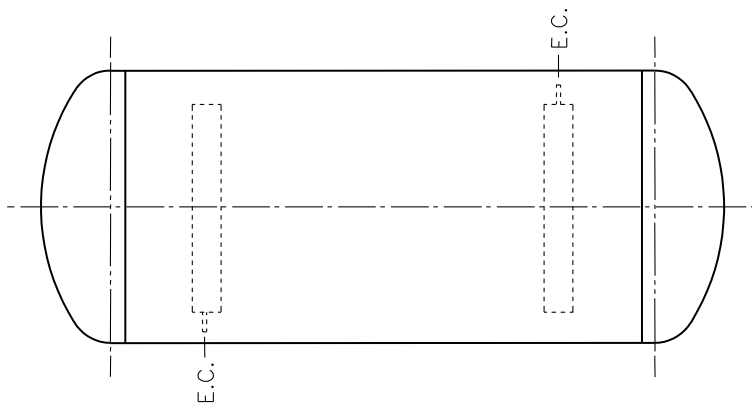
ON TANKS AND HALF SKIRTS



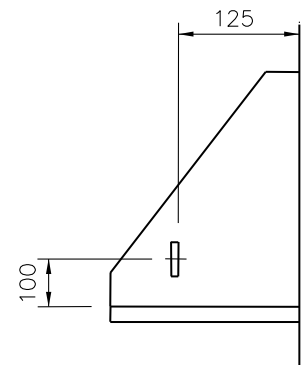
ON LEGS



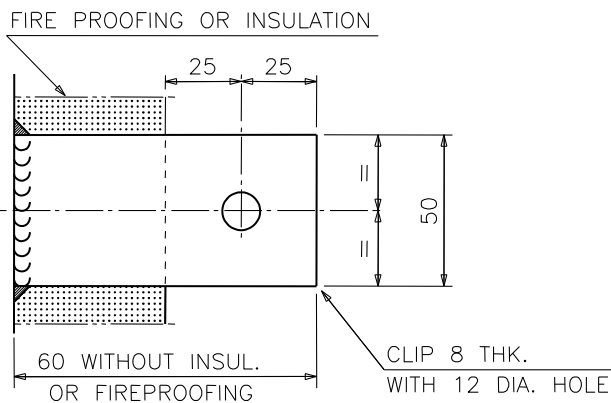
ON SADDLES SIDE VIEW



ON SADDLES TOP VIEW



ON BRACKETS



DETAIL OF CLIP

MATERIAL OF CLIP:  
EQUAL TO PART TO WHICH THE  
CLIP IS WELDED

**TYPICAL DETAIL  
FOR  
EARTHING CONNECTIONS**