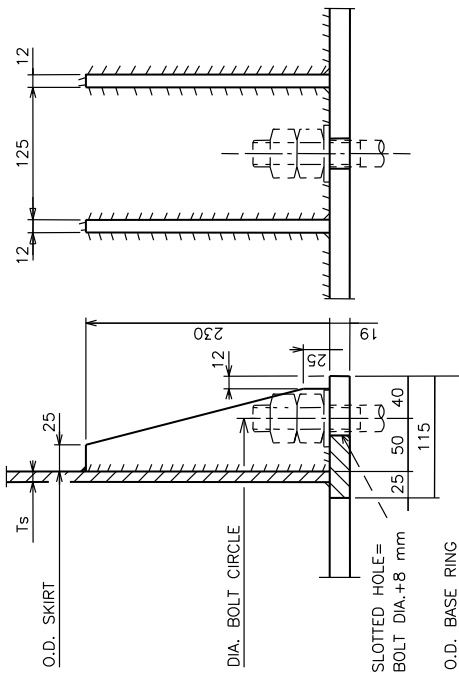


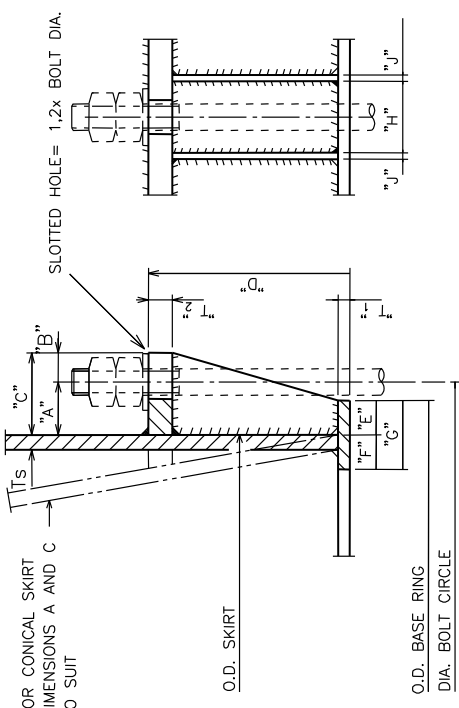
GENERAL NOTES:

1. VESSEL FABRICATOR MUST REFER TO THE VESSEL DRAWING FOR SIZE AND NUMBER OF ANCHOR BOLTS AND TYPE OF LUGS.
2. FOR MATERIAL SPECIFICATION AND ANY EXCEPTION TO THIS STANDARD SEE VESSEL DRAWING.
3. FABRICATOR MAY USE NEAREST COMMERCIALLY AVAILABLE THICKNESS PROVIDE NOT LESS THAN SHOWN.
4. RING AND PLATE THICKNESSES SHOWN ARE MINIMUM REQUIRED. VENDOR TO CHECK THICKN'S.



TYPE I

FOR 3/4" AND 1" (M.20 AND M.24) ANCHOR BOLTS.



TYPE II, III, IV AND V

FOR 1 1/4" (M.30) AND LARGER ANCHOR BOLTS.

TYPE II, III, IV AND V LUGS

O.D. OF SKIRT ANCHOR BOLT DIAMETER	TYPE II			TYPE III			TYPE IV			TYPE V																										
	< 2000mm	2000-4000mm	> 4000mm	< 2000mm	2000-4000mm	> 4000mm	< 2000mm	2000-4000mm	> 4000mm	< 2000mm	2000-4000mm	> 4000mm																								
1 1/4"	60	120	19	63	125	20	66	130	21	85	145	24	88	150	25	91	155	26	110	170	29	113	175	30	116	180	31	135	195	34	138	200	36	141	205	38
1 1/2"	64	125	20	67	130	21	70	135	22	89	150	25	92	155	26	95	160	27	114	175	30	117	180	31	120	185	32	139	200	35	142	205	37	145	210	39
1 3/4"	67	130	21	70	135	22	73	140	23	92	155	26	95	160	27	98	165	28	117	180	31	120	185	32	123	190	33	142	205	36	145	210	38	148	215	40
2"	65	130	22	68	135	23	71	140	24	90	155	27	93	160	28	96	165	29	115	180	32	118	185	33	121	190	34	140	205	38	143	210	40	146	215	42
2 1/4"	68	135	23	71	140	24	74	145	25	93	160	28	96	165	29	99	170	30	118	185	33	121	190	34	124	195	35	143	210	40	146	215	42	149	220	44
2 1/2"	71	140	24	74	145	25	77	150	26	96	165	29	99	170	30	102	175	31	121	190	35	124	195	36	127	200	37	146	215	42	149	220	44	152	225	46
2 3/4"	74	145	26	77	150	27	80	155	28	99	170	31	102	175	32	105	180	33	124	195	37	127	200	38	130	205	39	149	220	44	152	225	46	155	230	48
3"	73	145	28	76	150	29	79	155	30	98	170	33	101	175	34	104	180	35	123	195	39	126	200	40	129	205	41	148	220	46	151	225	48	154	230	50

FIXED DIMENSIONS FOR TYPE II, III, IV AND V LUGS

O.D. OF SKIRT ANCHOR BOLT DIAMETER	ALL DIAMETERS																	
	< 2000mm			2000-4000mm			> 4000mm			ALL DIAMETERS			BOLT SIZE			O.D. OF SKIRT		
	A	C	E	A	C	E	A	C	E	B	D	H	J	T ₂	MIN. BOLT PITCH	< 2000mm	2000-4000mm	> 4000mm
1 1/4"	85	125	60	90	130	62	95	135	64	40	300	120	10	30	290	9.15	12.15	15.15
1 1/2"	90	135	61	95	140	63	100	145	65	45	300	125	10	35	300	9.95	12.95	15.95
1 3/4"	95	145	63	100	150	65	105	155	67	50	300	130	10	40	355	9.80	12.80	15.80
2"	100	155	65	105	160	67	110	165	69	55	380	135	12	45	365	9.60	12.60	15.60
2 1/4"	105	165	67	110	170	69	115	175	71	60	380	140	12	50	370	9.45	12.45	15.45
2 1/2"	110	175	69	115	180	71	120	185	73	65	380	145	12	55	425	9.25	12.25	15.25
2 3/4"	115	185	71	120	190	73	125	195	75	70	460	150	16	60	450	9.10	12.10	15.10
3"	120	195	72	125	200	74	130	205	76	75	460	155	16	65	475	9.90	12.90	15.90

INFORMATION NOT FOR VENDOR

BASE RING AND LUG DETAILS FOR VERTICAL VESSELS