
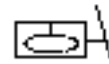
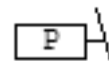
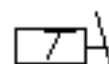
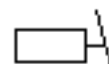
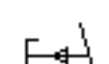
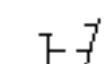
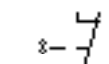
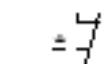
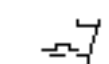
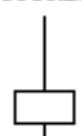
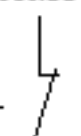

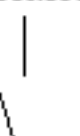
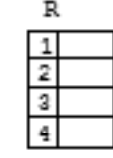

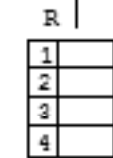
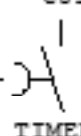
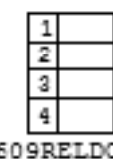

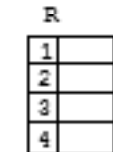


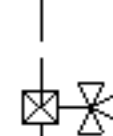
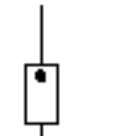
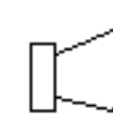





ACTUATING DEVICES

-  (ALL) FLOW OPERATED
609FSWO/609FSWC
-  (ALL) LEVEL OPERATED
609LSWO/609LSWC
-  (ALL) PRESSURE OPERATED
609PSWO/609PSWC
-  (ALL) TEMPERATURE OPERATED
609TSWO/609TSWC
-  UNDEFINED OPERATED
609XSWO/609XSWC
-  PUSH BUTTON
609PBO/609PBC
-  ROTARY SWITCH
609ROT
-  KEY OPERATED SWITCH
609KEY
-  LIMIT SWITCH (INCL. PROXIMITY)
609LIM
-  INTERMITTENT CONTACT
609IMC


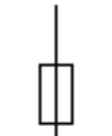
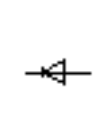

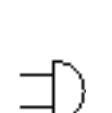

RELAY FUNCTIONS

- 609REL  RELAY
- 609RCC 
- 609RCO 
- 609RCOC 
- R  609RELF
- 609WPC  PULSE OR WIPE RELAY
(ADD TIME OF PULSE)
- R  609RELDOD
- 609RCDO  TIMER -DELAYED ON
- DE - ENERGIZING-
(ADD TIME OF DELAY)
- R  609RELDDE
- 609RCDC  TIMER -DELAYED ON
- ENERGIZING-
(ADD TIME OF DELAY)
- R 

MISCELLANEOUS

-  SOLENOID
609SOV
-  FUSE TERMINAL
609FUST
-  HORN
609HORN
-  TERMINAL (SEE NOTE 6)
609TERM
-  TERMINAL
INSIDE CABINET
-  BELL
609BEL
-  WIRE CROSS
(NO CONNECTION)
-  LAMP
609LMP

MISCELLANEOUS

-  CAPACITOR
609CAP
-  FUSE
609FUS
-  DIODE
609DIOD
-  TERMINAL
OUTSIDE CABINET
-  BUZZER
609BUZ
-  DOUBLE
CONNECTION

TITLE				
SYMBOLS				
INSTRUMENT SCHEMATIC DIAGR.				
	Drawn	Checked	Recovered	Dwg. no.
	PJ			BN-DG-K10
				Sheet
				4
				Issue
				3