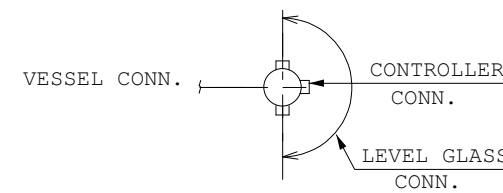
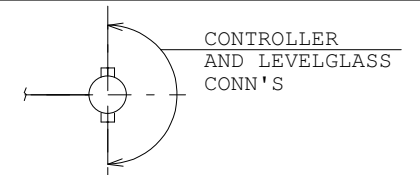


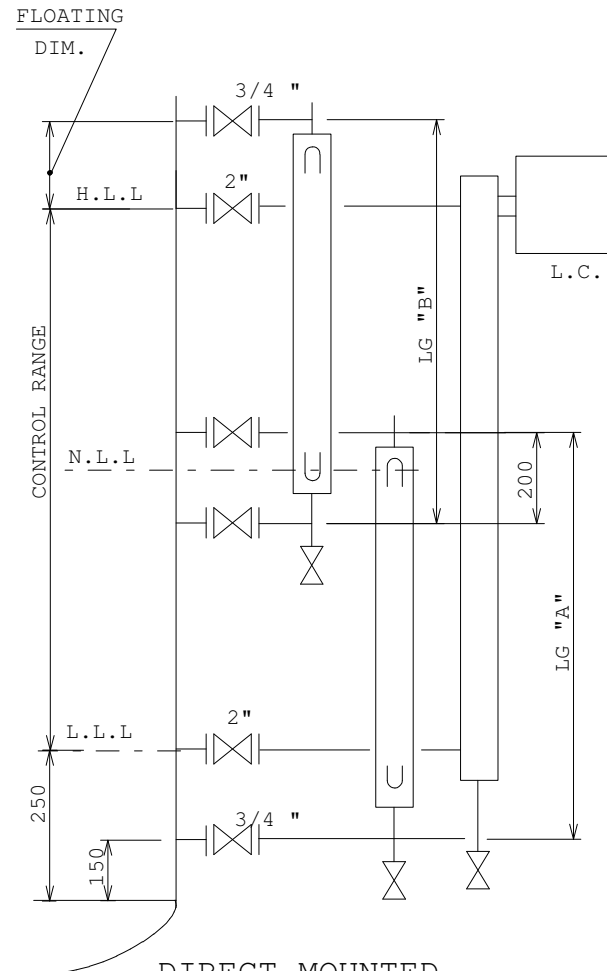
ORIENTATION OF LEVEL GLASS AND CONTROLLER MOUNTING CONN'S, OVER 180° POSSIBLE



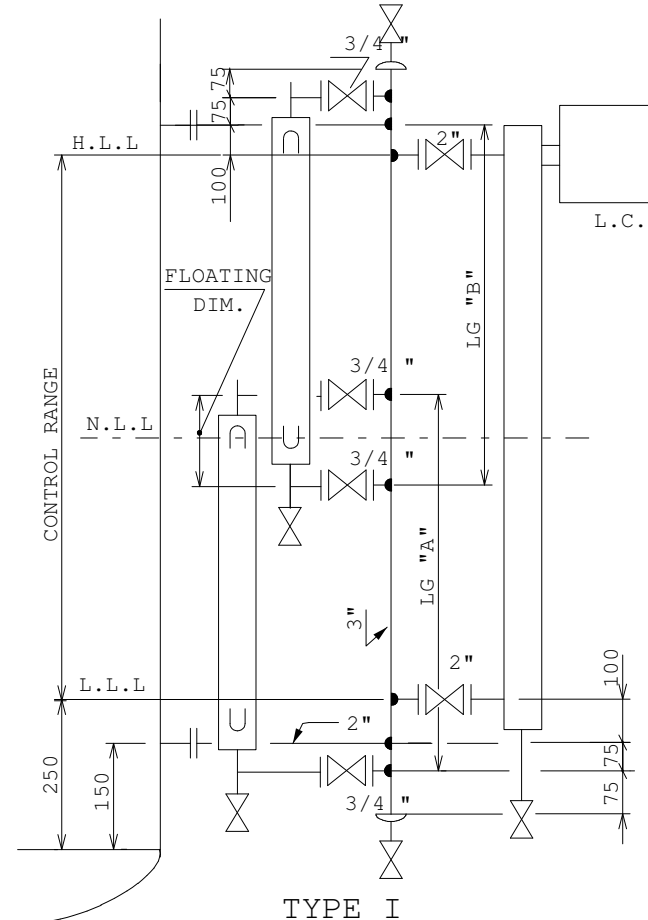
ORIENTATION OF LEVEL GLASS MOUNTING CONN'S OVER 180° POSSIBLE BUT CONTROLLER ONLY AS SHOWN



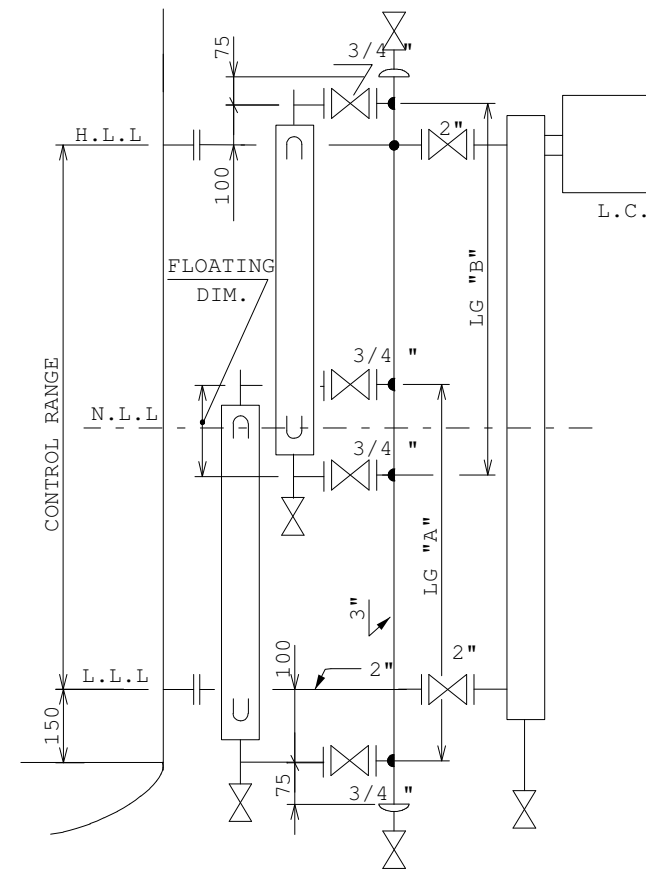
ORIENTATION OF LEVEL GLASS AND CONTROLLER MOUNTING CONN'S OVER 180° POSSIBLE



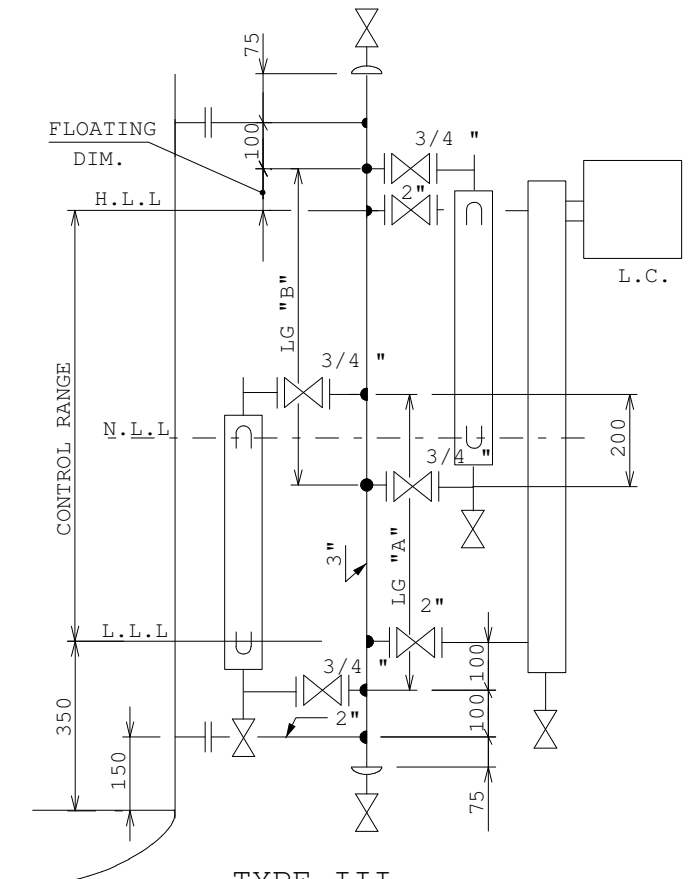
DIRECT MOUNTED
MIN.FLOATING DIM.=100mm



TYPE I
STANDARD STANDPIPE
ARRANGEMENT
MIN.FLOATING DIM.=200mm



TYPE II
ALTERNATIVE STANDPIPE
ARRANGEMENT
MIN. FLOATING DIM.=200mm



TYPE III
ALTERNATIVE STANDPIPE
ARRANGEMENT
MIN. FLOATING DIM.=100mm

DIMENSIONS OF LEVEL CONN. ON VERTICAL DRUMS TOWERS ETC.
USE OF UP TO "4 SECTION" MODEL LEVEL GLASS

LEVEL INSTR RANGE		GAUGE GLASS ARRANGEMENT				VISIBLE LENGTH MAX. DIM. mm	STANDPIPE LENGTH CENTRE TO CENTRE		
		1 SECTION 508mm	2 SECTION 864mm	3 SECTION 1219mm	4 SECTION 1575mm		TYPE		
INCH	mm					I	II	III	
60"	1524		X	X	1701	1724	1524	2083	
72"	1829			X X	2058	2029	1829	2438	
84"	2134			X	2414	2334	2134	2794	
96"	2438				2770	2638	2438	3150	
108"	2743			X X X	3077	2943	2743	3457	
120"	3048		X		3432	3248	3048	3714	

DIMENSIONS OF LEVEL CONN. ON VERT. DRUMS TOWERS ETC.
USE OF UP TO "3 SECTION" MODEL LEVEL GLASS

LEVEL INSTR RANGE		GAUGE GLASS ARRANGEMENT			VISIBLE LENGTH MAX. DIM. mm	STANDPIPE LENGTH CENTRE TO CENTRE		
		1 SECTION 508mm	2 SECTION 864mm	3 SECTION 1219mm		TYPE		
INCH	mm				I	II	III	
48"	1219		X X		1344	-	1219	1728
60"	1524		X	X	1701	1724	1524	2083
72"	1829			X X	2058	2029	1829	2438
84"	2134	X		X X	2363	2334	2134	2746
96"	2438		X	X X	2720	2638	2438	3102
108"	2743			X X X	3077	2943	2743	3457
120"	3048			X X X	3077	-	3048	3457

I	GM	CERTIFIED		
Iss Date	By	Description of issue	Ch'k'	App'd

INSTRUMENT CONNECTIONS ON VESSELS

This drawing is not to be used for construction or for ordering material unless dated and signed

Scale ~

Approvals

Design	Eng'r		
Certified	Date 18 DEC. 1967		

A
8/12-'67