

GENERAL NOTES

1. DIMENSIONS IN mm.
2. COORDINATES AND ELEVATIONS IN m.
3. COORDINATES REFER TO THE PLANT GRID SYSTEM.
4. ELEVATIONS REFER TO PLANT DATUM 0.000 WHICH IS EQUAL TO 3.200 +N.A.P.
5. SETTING OUT DIMENSIONS FOR RAKED PILES ARE GIVEN AT CUT-OFF ELEVATION.

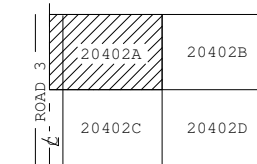
LEGEND

- A PILE 380 #, WORKING LOAD 600 kN
- AX PILE 290 #, WORKING LOAD 300 kN
- RAKED PILES
- CPT DUTCH CONE PENETRATION TEST
- BH BORE HOLE

REFERENCE DRAWINGS

- SPECIFICATION FOR THE INSTALLATION OF PRECAST REINFORCED CONCRETE PILES BN0000-SP-JL1
- PILE DETAILS BN0000-00402A
- LAYOUT OF BORE HOLES AND DUTCH CONE PENETRATION TESTS BN0000-00401A
- OVERALL PLOTPLAN BN0000-00101A
- UNIT PLOTPLAN BN0000-00201A

KEYPLAN

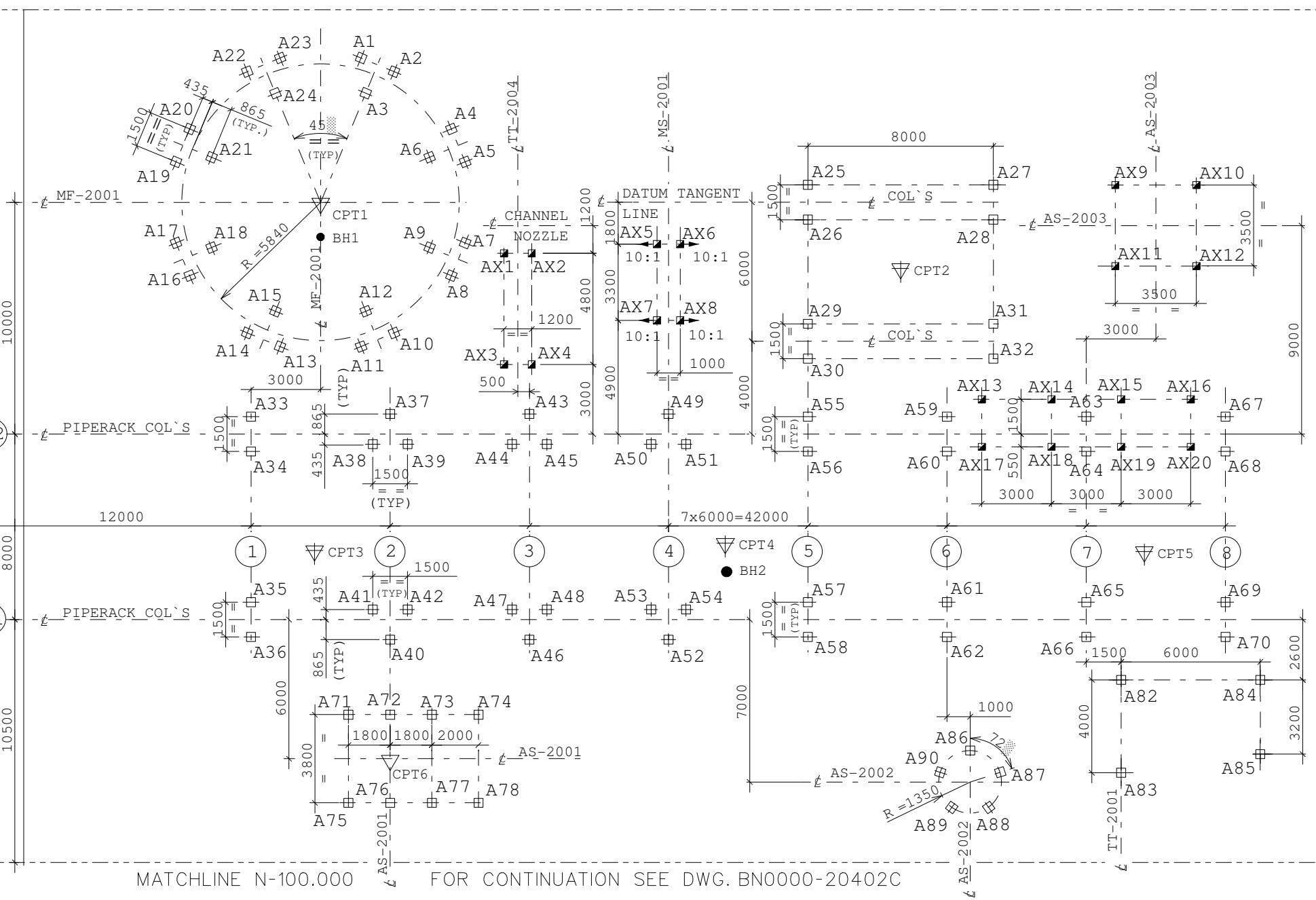


DRAUGHTING INSTRUCTIONS

1. Usual scale 1:100.
2. North direction, matchlines and battery limits shall, if possible, be the same as those on the plotplan.
3. Locating dimensions shall, if practical, be the same as those used on the plotplan.
4. Pile numbering system to be chosen such that all pile numbers are unique for the whole job.
5. Pile numbers which have been used once on an issued drawing, and are cancelled, shall not be re-used.

MATCHLINE ROAD 3 E-204.500 FOR CONTINUATION SEE DWG. BN0000-10402B

MATCHLINE E-263.500 FOR CONTINUATION SEE DWG. BN0000-20402B

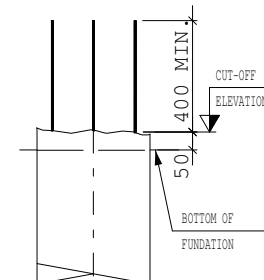


PILE TYPE : 300 kN PILE, 290 #

PILE NO.	NO. OF PILES		CUT-OFF EL.	TIP EL.	MAX. PILE LOADS			REMARKS
	10m	12m			VERT.	UPLIFT	HOR.	
AX1 - AX4								
AX5- AX8								SETTING OUT DIMS AT -1.200 (GEN. NOTE 5)
AX9- AX12								
AX13-AX20								
TOTAL								

PILE TYPE : 600 kN PILE, 380 #

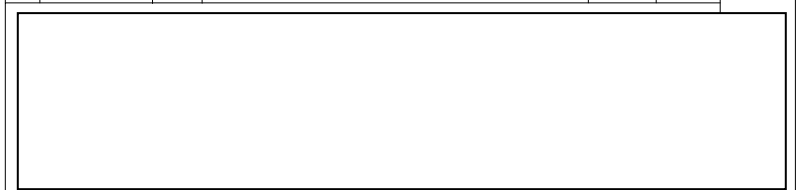
PILE NO.	NO. OF PILES		CUT-OFF EL.	TIP EL.	MAX. PILE LOADS			REMARKS
	10m	12m			VERT.	UPLIFT	HOR.	
A1 -A24								
A25-A32								
A33-A36								
A37-A54								
A55-A70								
A71-A78								
A79-A81								CANCELLED
A82-A85								
A86-A90								
TOTAL								



REINFORCEMENT TO PROJECT MIN. 400 mm ABOVE CUT-OFF ELEVATION

DETAIL OF PILE HEAD

Iss	Date	By	Description of issue	Ch'k'	App'd
			COMPLETELY REDRAWN		



**PILING PLAN  
EXAMPLE DRAWING**

This drawing is not to be used for construction or for ordering material unless dated and signed

Scale 1:100

Approvals

Design	Eng'r	
--------	-------	--

Certified \_\_\_\_\_  
Date \_\_\_\_\_

