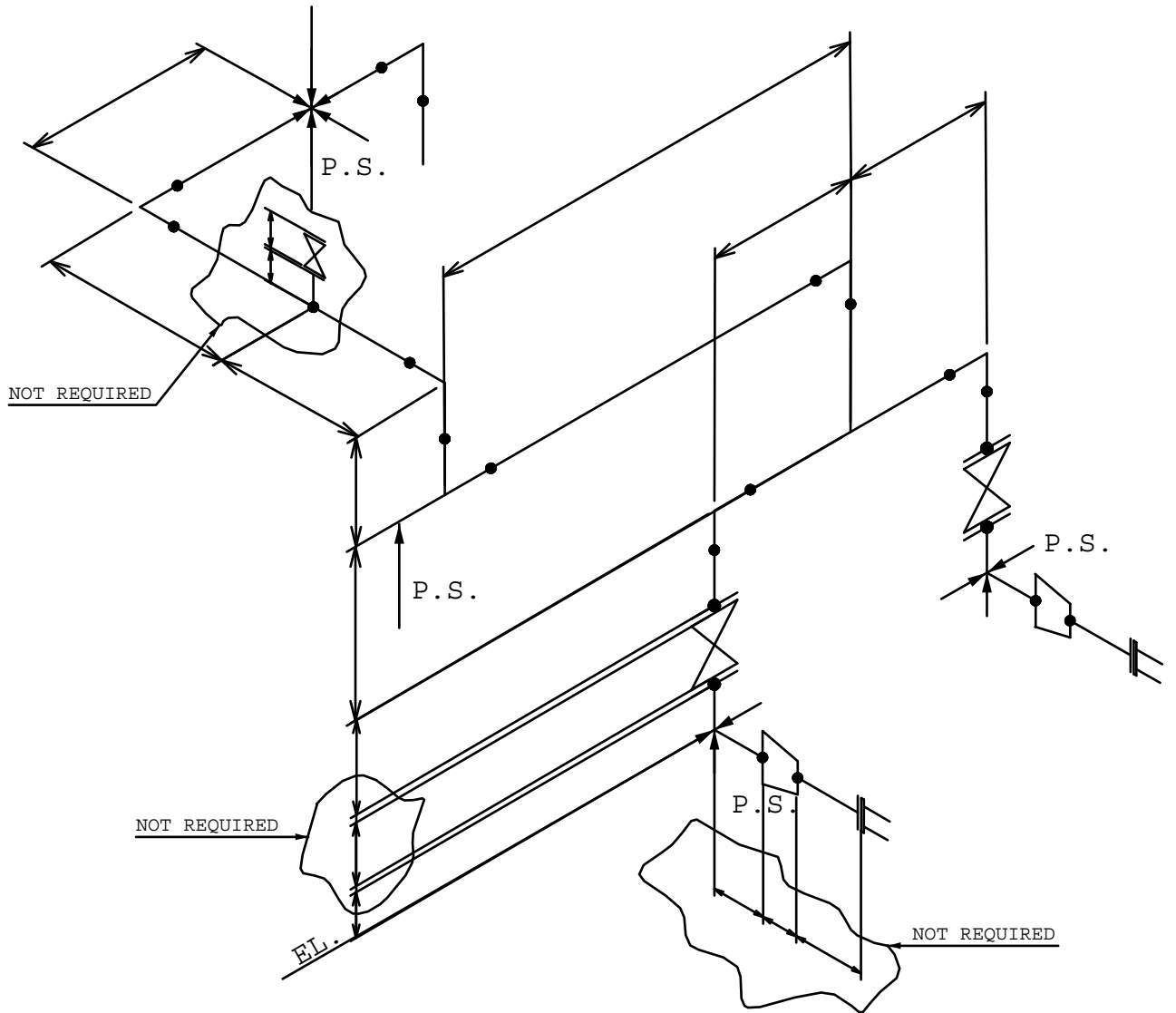


EXAMPLE



ATTACHMENT "H"

ID. NO.

www.red-bag.com

ISSUE

1

SHEET

2 of 2

DOC.NO.

BN-DG-C3